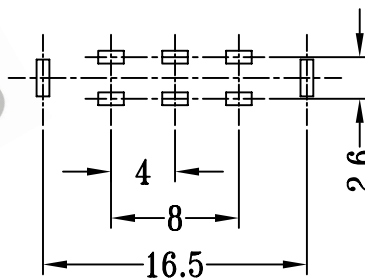
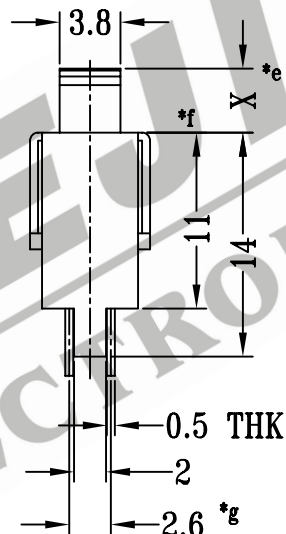
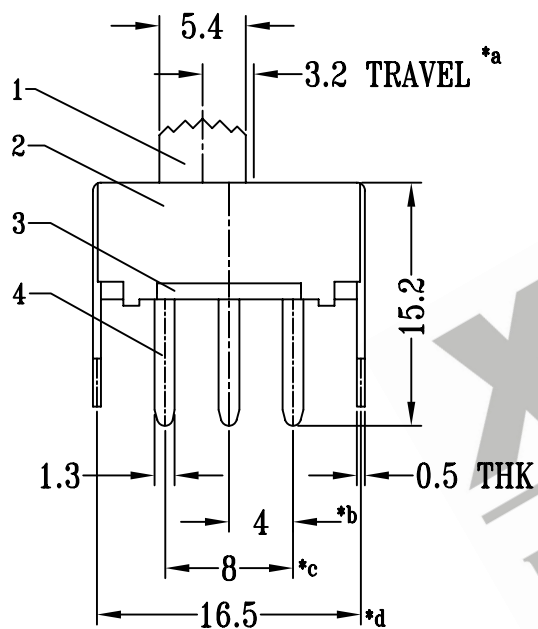
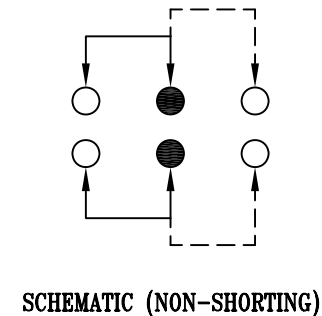
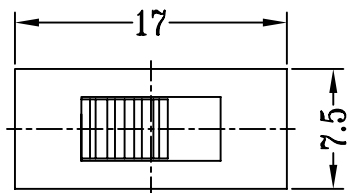


CAD FILE:



**P.C.B LAYOUT**

注:带"\*"表示关键尺寸(7个)

NO.	PART NAME	MATERIAL	Q'TY	FINISHING	TOLERANCE UNLESS SPECIFIED	SHENZHEN XIEJIA ELECTRONICS CO.,LTD.						
8						ISSUE		DATE		DESCRIPTIONS	APPD.	
6	SPRING	STEEL WIRE	2	TEMPER	WITHIN: 1.5±0.1mm OVER : 1.5±0.2mm							
5	CONTACT CLIP	BRASS STRIP	2	Ag PLATED								
4	TERMINAL	BRASS STRIP	6	Ag PLATED OVER Ni PLATED								
3	BASE	PHENOLIC RESIN	1	BLACK								
2	FRAME	STEEL STRIP	1	Ni PLATED								
1	KNOB	POM	1	BLACK								
					TITLE : VERTICAL SLIDE SWITCH			UNIT : MM		DRWG NO.: XJ-DR-SS22F50-00		
					MODEL: SS-22F50			SCALE: 2 : 1		DWN.	ZHOUYU	2005-8-19
					ALL MATERIALS MUST BE COMPLIANT TO ROHS					CHK'D	FANGYING	2005-8-19
										APPD.	KANGXINAN	2005-8-19